

PRODUCT INFORMATION

5000 Series

VACLEEN[®]
AG Filter



**OLSON
IRRIGATION
SYSTEMS**

When Water Counts[®]

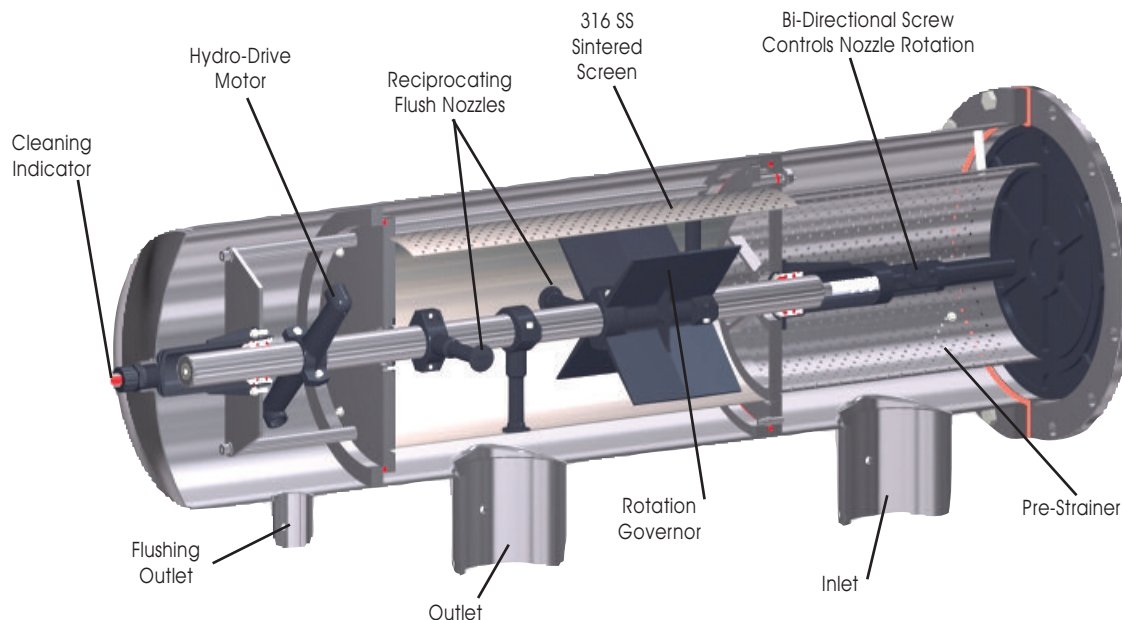
10910 Wheatlands Avenue
Santee, CA 92071 • USA
Tel. (619) 562-3100 • FAX (619) 562-2724
www.vacleen.com

U.S. Pat 6,959,818, EU 1,446,213 and ES602 13 277.0-08;
Other US and foreign patents pending

5000 Series

VACLEEN®
AG Filter

The **VACLEEN®** AG Filter Offers the Same Advantages as Olson's High-Pressure Models at a Lower Price



STAINLESS STEEL & NON-CORROSIVE MATERIALS

- Provide longer equipment life
- Require little or no maintenance
- Have resistance to damage from common agricultural chemicals

316 SS SINTERED SCREEN

- Allows temperatures up to 176° F
- Is available for filtration to 15 microns
- Ensures mesh size stability
- Avoids danger of mixing contaminant into filtration media, i.e. sand filters

FULLY AUTOMATIC CLEANING

- Operates with hydraulic, electric or battery-operated controllers
- Reduces labor, time and scheduling problems

RECIPROCATING FLUSH NOZZLES

- Provide the most effective method of cleaning a filter screen
- Allow the use of a smaller flush valve, maintaining system pressure
- Utilize a bi-directional screw to control the nozzle movement for 100% screen cleaning without the use of electric motors, gear boxes, limit switches or pistons
- Use a minimal amount of water per cleaning cycle
- Remove suspended solids and organic materials including algae
- Use less than 2% of the filter flow capacity during the brief cleaning cycle
- Allow the system to operate uninterrupted during the cleaning cycle



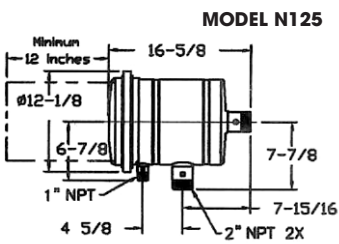
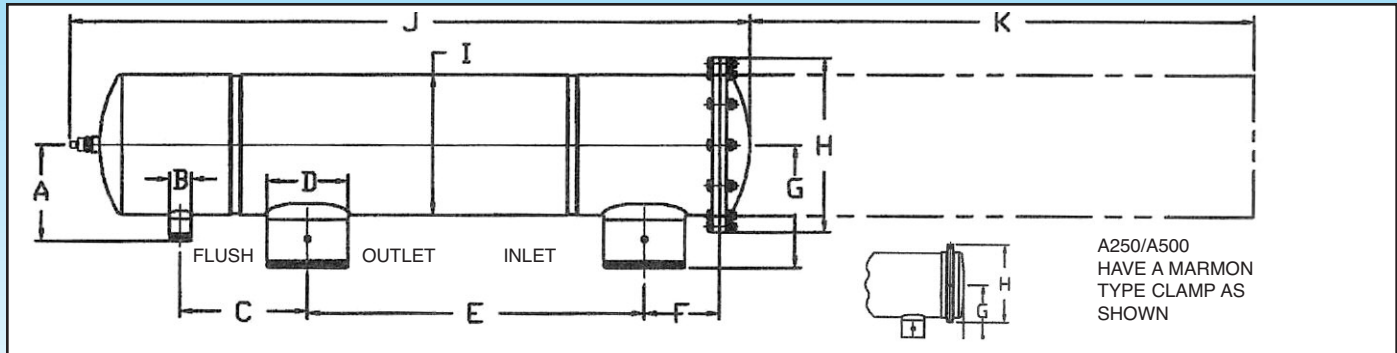
OLSON
IRRIGATION
SYSTEMS

When Water Counts®

U.S. Pat 6,959,818, EU 1,446,213 and ES602 13 277.0-08;
Other US and foreign patents pending

SPECIFICATIONS

5000 Series



		DIMENSIONS									
MODEL	A	B	C	D	E	F	G	H	I	J	K
250	7-5/8	1-1/2	7-5/8	3 - 4	11-1/2	6-1/4	9-5/32	12-3/4	10-1/8	38	35
500	7-5/8	1-1/2	8-5/8	4 - 6	21-1/2	6-3/8	9-5/32	12-3/4	10-1/8	48-5/32	45
1000	10-5/8	2	13-5/8	6 - 8	24	7-7/8	13-1/4	18-13/16	15-5/32	60-3/4	60
1500	10-5/8	2	13-5/8	8 - 10	36	7-7/8	13-1/4	18-13/16	15-5/32	72-3/4	70
2000	12-15/16	2	18	10 - 14	36	12-9/16	16-3/4	27-1/2	20-3/8	82-1/8	70

Materials: Stainless steel and other non-corrosive materials
 Inlet and Outlet: Sizes 2" to 14" available flanged, grooved or threaded
 Screen: Sintered stainless steel, available to 15 microns, (800 mesh)
 Capacity: Available in models up to 2000 gpm. Units can be manifolded for greater capacity.
 Automation: Hydraulic or battery-operated electronic controllers available.
 Working Pressure: 80 psi maximum
 Maximum Temperature: 176° F (80° C)

FILTER FLOW RATES

Inlet/Outlet Pipe Size Inches	Model	Flush Flow Rate at 35 psi	Screen Area sq. in.	80 Mesh				120 Mesh				150 Mesh				200 Mesh				Water Quality								
				Gallons per Minute																								
2	N125	72 gpm	118	195	159	145	117	173	142	129	104	136	111	101	81	370	302	276	222	329	269	245	197	258	211	192	155	Good
				Average																								
				Poor																								
3	A250	30 gpm	224	739	605	551	444	657	538	490	394	515	421	384	309	1431	1170	1066	858	1272	1040	948	763	997	816	743	598	Good
				Average																								
				Poor																								
4	A500	60 gpm	448	2145	1755	1599	1287	1907	1560	1421	1114	1495	1223	1114	897	2798	2290	2086	1679	2487	2035	1854	1492	1950	1596	1454	1170	Good
				Average																								
				Poor																								
6	A1000	60 gpm	867	2145	1755	1599	1287	1907	1560	1421	1114	1495	1223	1114	897	2798	2290	2086	1679	2487	2035	1854	1492	1950	1596	1454	1170	Good
				Average																								
				Poor																								
8	A1500	90 gpm	1300	2145	1755	1599	1287	1907	1560	1421	1114	1495	1223	1114	897	2798	2290	2086	1679	2487	2035	1854	1492	1950	1596	1454	1170	Good
				Average																								
				Poor																								
10 or 12	A2000	120 gpm	1696	2145	1755	1599	1287	1907	1560	1421	1114	1495	1223	1114	897	2798	2290	2086	1679	2487	2035	1854	1492	1950	1596	1454	1170	Good
				Average																								
				Poor																								

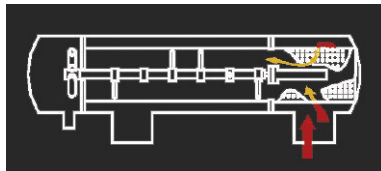
5000 Series

VACLEEN®
AG Filter

The Olson VACLEEN® stainless steel filter is an automatic, state-of-the-art, self-cleaning filtration system providing excellent filtration for drip and sprinkler irrigation. The system's unique backflush cleaning cycle permits uninterrupted filtration due to the speed of the cleaning process and the minimal flow required to clean the screen. Sound engineering principles and modern technology, combined with grower needs and grower experience, have produced the VACLEEN® Self-Cleaning Filter.

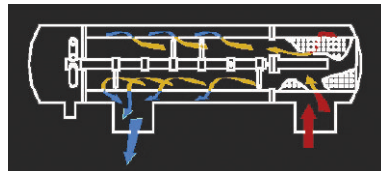
The VACLEEN® features a new nozzle system which is a vast improvement over previous technologies. Using older technology, the filter flush nozzles were large enough to cover 100% of the screen in one revolution. This required a relatively large flush valve. The VACLEEN® system uses small flush nozzles that reciprocate across the filter screen allowing the use of a small flush valve. A reversing screw causes the traversing of the nozzles back and forth across the screen, insuring 100% coverage in one pass.

An important advantage of the smaller flush flow rate is that the system pressure is maintained.

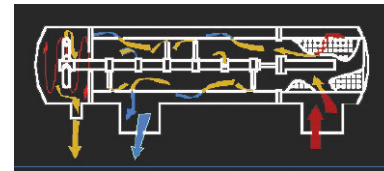


FILTERING MODE

DIRTY WATER enters the pre-strainer where occasional large particles are removed and trapped on the exterior surface of the pre-strainer.



PRE-STRAINED WATER enters the fine mesh filter and clean water flows out through the outlet to the irrigation system. Debris accumulates on the interior of the fine mesh sintered screen creating a pressure drop across the screen.



FLUSHING MODE

When the pressure drop reaches a preset point, the flush valve opens.

DEBRIS is removed from the interior of the filter by the reciprocating flush nozzles and flows out through the flushing outlet.

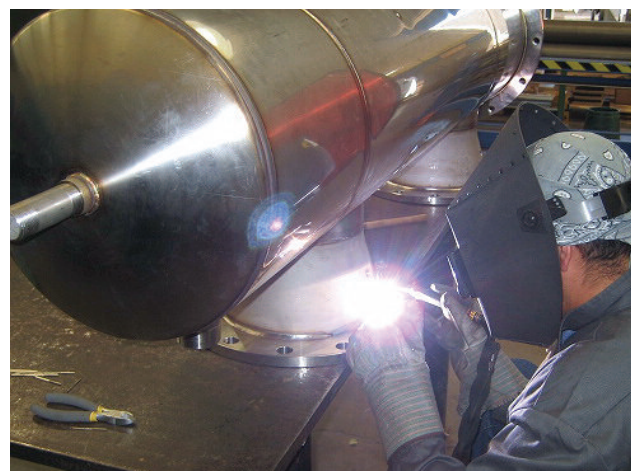
INNOVATION AND QUALITY, THE OLSON TRADITION

Innovative new products have been an important part of the growth history of Olson Irrigation Systems. The VACLEEN® Self-Cleaning mechanism has long been accepted as one of the most effective methods of cleaning a filter screen, but was considered too expensive by many in the agricultural market.

The new VACLEEN® AG Filter changes that. All critical parts are stainless steel. Epoxy-coated steel and high grade plastic components are used in noncritical areas, making the AG filter more economical than Olson's high-pressure models, offering the grower the same performance advantages at a lower price.



MADE IN AMERICA.



State-of-the-art technology and quality manufacturing make the VACLEEN® Self-Cleaning Filter the choice of growers around the world.



OLSON
IRRIGATION
SYSTEMS

When Water Counts®

10910 Wheatlands Avenue
Santee, CA 92071 • USA
Tel. (619) 562-3100 • FAX (619) 562-2724
www.vacleen.com

U.S. Pat 6,959,818, EU 1,446,213 and ES602 13 277.0-08;
Other US and foreign patents pending